

PVC-u Flowmeter *PVC-u Durchflussmesser*

Function

The flow meter operates on the float principle and is used for flow rate measurements in closed pipelines. The medium flows through the vertically installed flow meter from bottom to top. This raises the float and shows the current flow rate on the scale on the measuring device. The read-off edge corresponds to the largest diameter of the float. The flow meters come as standard with a water scale and a % scale, and two setpoint indicators.

Special Features

- Fracture-proof and corrosion-resistant
- Radially removable
- Special adhesive scales for liquid and gaseous media
- Holder for accessories (limit value contacts)
- Measuring tube carries the DN label, and also the measuring range and material
- PVDF floats and stops as standard
- Operating pressure PN 10 bar at 20 °C

Funktion

Der Durchflussmesser arbeitet am Schwimmer Prinzip und wird für Durchflussmessungen in geschlossenen Rohrleitungen verwendet. Das Medium strömt durch den vertikal installierten Durchflussmesser von unten nach oben. Dadurch wird der Schwimmer angehoben und der aktuelle Durchfluss auf der Skala des Messgeräts angezeigt. Die Ablesekante entspricht dem größten Durchmesser des Schwimmers. Die Durchflussmesser verfügen standardmäßig über eine Wasserskala und eine % -Skala sowie zwei Sollwertanzeigen.

Besondere Merkmale

- Bruchfest und korrosionsbeständig
- Radial entfernbar
- Spezielle Klebeskalen für flüssige und gasförmige Medien
- Halter für Zubehör (Grenzwertkontakte)
- Das Messrohr trägt das DN-Etikett sowie den Messbereich und das Material
- PVDF schwimmt und stoppt standardmäßig
- Betriebsdruck PN 10 bar bei 20 °C

Pressure Loss / Druckverlust Flowmeters Measuring range 50-60000L/h • Durchmesser Durchflussmenge 50-60000 L/h							
HDR	Measuring range l/h • Durchflussmenge l/h	50 / 500	100 - 1.000	150 - 1.500	250 - 2.500	200 - 2.000	300 - 3.000
335	Pressure loss mbar • Druckverlust mbar	22.84	22.84	22.84	22.84	24.99	24.99
HDU	Measuring range l/h • Durchflussmenge l/h	600 - 6.000	1.000 - 10.000	1.500 - 15.000	2.000 - 20.000	3.000 - 30.000	8.000 - 60.000
335	Pressure loss mbar • Druckverlust mbar	24.99	24.99	28.23	45.67	45.67	47.24

Measuring Accuracy / Messgenauigkeit Flowmeters Measuring range 50-60000L/h • Durchmesser Durchflussmenge 50-60000 L/h											
HDR	Flow in % / Fließen in %	10	20	30	40	50	60	70	80	90	100
335	Total measured value error in % Gemessene Gesamtmenge Wertefehler in %	13.00	8.00	6.33	5.50	5.00	4.67	4.43	4.25	4.11	4.00
HDU											
335	Total limit value error in % Gesamtgrenzwert Fehler in %	1.3	1.6	1.9	2.2	2.5	2.9	3.1	3.4	3.7	4.0

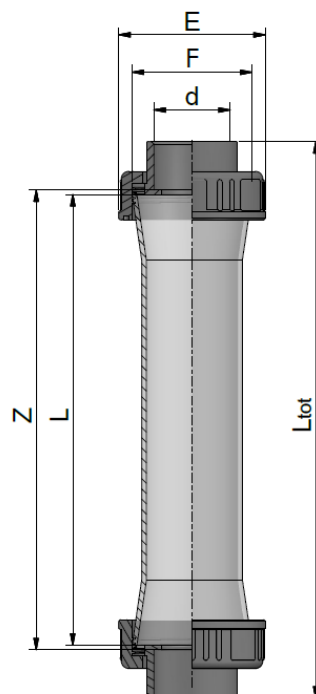
Pressure Loss / Druckverlust Flowmeters Measuring range 1.5-1000L/h • Durchmesser Durchflussmenge 1.5-1000 L/h												
HDR	Measuring range l/h • Durchflussmenge l/h	1.5-15	2.5-25	5-50	10-100	8-80	15-150	20-200	15-150	30-300	50-500	100-1.000
123	Pressure loss mm WS • Druckverlust mm WS	46.0	46.0	46.0	46.0	44.7	44.7	44.7	82.8	82.8	82.8	82.8
HDU	Measuring range l/h • Durchflussmenge l/h	1.5-15	2.5-25	5-50	10-100	8-80	15-150	20-200	15-150	30-300	50-500	100-1.000
123	Pressure loss mbar • Druckverlust mbar	4.6	4.6	4.6	4.6	4.47	4.47	4.47	8.28	8.28	8.28	8.28

Measuring Accuracy / Messgenauigkeit Flowmeters Measuring range 1.5-1000L/h • Durchmesser Durchflussmenge 1.5-1000 L/h											
HDR	Flow in % / Fließen in %	10	20	30	40	50	60	70	80	90	100
123	Total measured value error in % Gemessene Gesamtmenge Wertefehler in %	13.00	8.00	6.33	5.50	5.00	4.67	4.43	4.25	4.11	4.00
HDU											
123	Total limit value error in % Gesamtgrenzwert Fehler in %	1.3	1.6	1.9	2.2	2.5	2.9	3.1	3.4	3.7	4.0


PVC-U Flowmeters PVC-U Flussimetri

123 SERIES - PVC-U SOLVENT WELDED METRIC UNIONS
SERIE 123 - BOCCHETTONI PER INCOLLAGGIO METRICO IN PVC-U

HD*FLU123 - MAY 2019



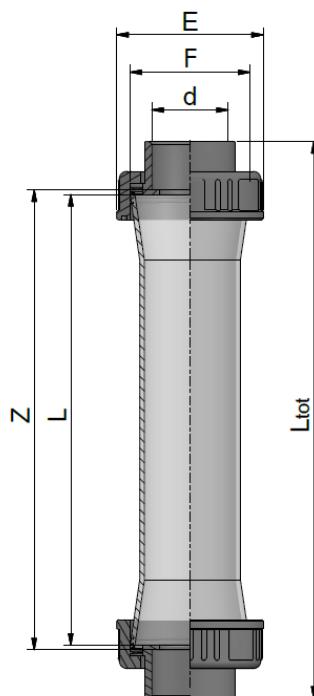
Code Measuring tube PVCu	Code Measuring tube PSU	d	DN	Measuring rang H ₂ O l/h	L	Ltot	Z	F	E	PN
HDRFLU016A	HDUFLU016A	16	10	1,5-15	165	199	171	3/4"	35	10
HDRFLU016B	HDUFLU016B	16	10	2,5-25	165	199	171	3/4"	35	10
HDRFLU016C	HDUFLU016C	16	10	5-50	165	199	171	3/4"	35	10
HDRFLU016D	HDUFLU016D	16	10	10-100	165	199	171	3/4"	35	10
HDRFLU020A	HDUFLU020A	20	15	8-80	185	223	191	1"	43	10
HDRFLU020B	HDUFLU020B	20	15	15-150	185	223	191	1"	43	10
HDRFLU020C	HDUFLU020C	20	15	20-200	185	223	191	1"	43	10
HDRFLU032AE	HDUFLU032AE	32	25	15-150	200	250	206	1" 1/2	60	10
HDRFLU032BC	HDUFLU032BC	32	25	30-300	200	250	206	1" 1/2	60	10
HDRFLU032CC	HDUFLU032CC	32	25	50-500	200	250	206	1" 1/2	60	10
HDRFLU032CD	HDUFLU032CD	32	25	100-1000	200	250	206	1" 1/2	60	10

All descriptions and illustrations in this publication are intended for guidance only and shall not constitute a 'sale by description'. All dimensions given are nominal and Polypipe may modify and change the information, products and specifications from time to time for a variety of reasons, without prior notice. The information in this publication is provided 'as is' on May 2019. Updates will not be issued automatically. This information is not intended to have any legal effect, whether by way of advice, representation or warranty (express or implied). We accept no liability whatsoever (to the extent permitted by law) if you place any reliance on this publication you must do so at your own risk. All rights reserved. Copyright in this publication belongs to Polypipe and all such copyright may not be used, sold, copied or reproduced in whole or part in any manner in any media to any person without prior consent.  is a registered trademark of Polypipe. All Polypipe products are protected by Design Right under CDPA 1988. Copyright © 2016 Polypipe. All rights reserved.

PVC-U Flowmeters PVC-U Flussimetri

335 SERIES - PVC-U SOLVENT WELDED METRIC UNIONS
SERIE 335 - BOCCHETTONI PER INCOLLAGGIO METRICO IN PVC-U

HD*FLU335 - MAY 2019



Code Measuring tube PVCu	Code Measuring tube PSU	d	DN	Measuring range H ₂ O l/h	L	Ltot	Z	F	E	PN
HDRFLU032C	HDUFLU032C	32	25	50-500	335	385	341	1" 1/2	60	10
HDRFLU032D	HDUFLU032D	32	25	100-1000	335	385	341	1" 1/2	60	10
HDRFLU040A	HDUFLU040A	40	32	150-1500	335	393	341	2"	72	10
HDRFLU040B	HDUFLU040B	40	32	250-2500	335	393	341	2"	72	10
HDRFLU050A	HDUFLU050A	50	40	200-2000	335	403	341	2" 1/4	83	10
HDRFLU050B	HDUFLU050B	50	40	300-3000	335	403	341	2" 1/4	83	10
HDRFLU050C	HDUFLU050C	50	40	600-6000	335	403	341	2" 1/4	83	10
HDRFLU063B	HDUFLU063B	63	50	600-6000	335	417	341	2" 3/4	103	10
HDRFLU063C	HDUFLU063C	63	50	1000-10000	335	417	341	2" 3/4	103	10
HDRFLU063D	HDUFLU063D	63	50	1500-15000	335	417	341	2" 3/4	103	10
HDRFLU075A	HDUFLU075A	75	65	2000-20000	335	429	341	3" 1/2	122	10
HDRFLU075B	HDUFLU075B	75	65	3000-30000	335	429	341	3" 1/2	122	10
HDRFLU075C	HDUFLU075C	75	65	8000-60000	335	429	341	3" 1/2	122	10

All descriptions and illustrations in this publication are intended for guidance only and shall not constitute a 'sale by description'. All dimensions given are nominal and Polypipe may modify and change the information, products and specifications from time to time for a variety of reasons, without prior notice. The information in this publication is provided 'as is' on May 2019. Updates will not be issued automatically. This information is not intended to have any legal effect, whether by way of advice, representation or warranty (express or implied). We accept no liability whatsoever (to the extent permitted by law) if you place any reliance on this publication you must do so at your own risk. All rights reserved. Copyright in this publication belongs to Polypipe and all such copyright may not be used, sold, copied or reproduced in whole or part in any manner in any media to any person without prior consent. © Polypipe is a registered trademark of Polypipe. All Polypipe products are protected by Design Right under CDPA 1988. Copyright © 2016 Polypipe. All rights reserved.